

## DS-T200



### Key Features

- 2 Megapixel high-performance CMOS
- Analog HD output, up to 1080P resolution
- True Day/Night, Smart IR
- Up to 20m IR distance
- IP66 weatherproof

### Specification

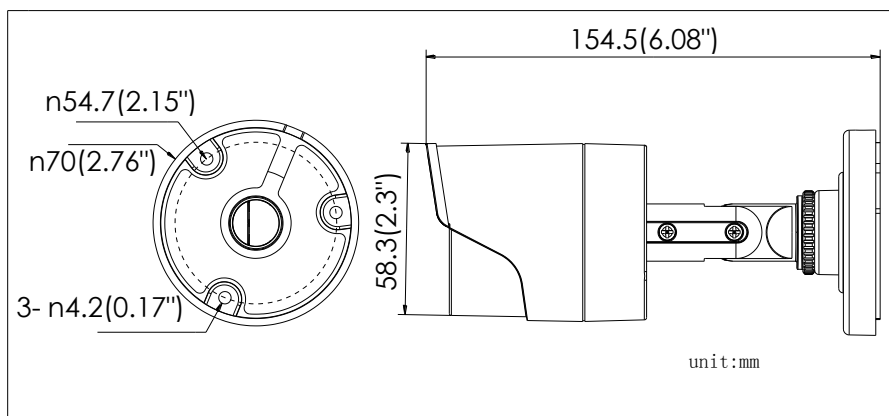
Model	DS-T200
Parameter	Turbo HD1080p IR Bullet Camera
<b>Camera</b>	
Image Sensor	2MP CMOS Image Sensor
Signal System	PAL/NTSC
Effective Pixels	1920(H)*1080(V)
Min. Illumination	0.01 Lux @(F1.2,AGC ON), 0 lux with IR
Shutter Time	1/25(1/30) s to 1/50,000 s
Lens	2.8mm, 3.6mm, 6mm optional Angle of View: 103°(2.8mm), 82.2°(3.6mm), 54°(6mm)
Lens Mount	M12
Angle Adjustment	Pan: 0 - 360°, Tilt: 0 - 180°, Rotation: 0 - 360°
Day & Night	ICR
Synchronization	Internal synchronization
Video Frame Rate	1080p@25fps/1080p@30fps
HD Video Output	1 Analog HD output
S/N Ratio	> 62dB
<b>General</b>	
Working Temperature/Humidity	-40 °C - 60 °C (-40 °F - 140 °F) Humidity 90% or less (non-condensing)

Power Supply	12V DC±15%
Power Consumption	Max. 4W
Weather Proof Ratings	IP66
IR Range	Up to 20m
Dimension	Φ70×149.5mm (Φ2.76"×5.89")
Weight	360g (0.79 lb)

## Order Model

DS-T200

## Dimension



## Accessory



DS-1280ZJ-XS  
Junction box



DS-1H33  
Video Balun



DS-TT-X41T  
TVI Tester